

UB-3RDX-60

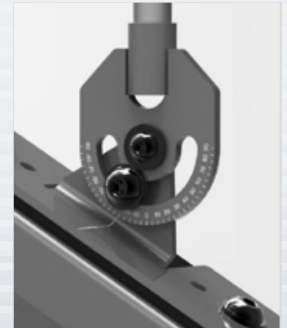
(100 lb. WLL)

3RD AXIS ADJUSTMENT FOR U-BRACKETS

UB-SERIES



When suspending from overhead, U-Brackets offer 2 axes of rotation and provide a pan and tilt adjustment for loudspeakers. In some cases such as for immersive sound, speakers must be rotated in a third axis to avoid sending sound needlessly across floors and walls. In these cases the UB -3RDX-60 provides that 3rd axis by attaching to the base of the U-Bracket and adjusting up to 90 degrees of rotation, either direction for the horizontal position. In instances, such as attaching to angled ceilings, this mount can be used on both ends of the pipe for a gimballed affect.



STANDARD FEATURES:

- ▶ Adjusts up to 90 degrees off center
- ▶ Angle Indicator speeds installations
- ▶ Adapts to standard U-Brackets
- ▶ Adapts to standard schd. 40-1/2" pipe

OPTIONAL ACCESSORIES:

- ▶ U-Brackets - (see data sheet)
- ▶ Safety Cable Kits (see data sheet)
- ▶ Ceiling Attachments (see data sheet)
- ▶ Strut Attachments (see data sheet)
- ▶ Threaded Pipe (see data sheet)

SPECIFICATIONS:

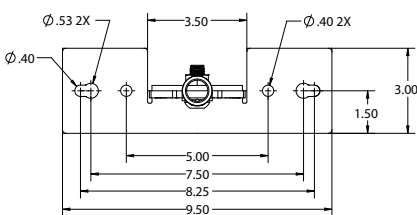
Material: Structural Steel Alloy
Tilt: 180 degrees
Finish: Powder Coat
Color: Black
WLL: 100 lb. / 27 Kg.
Design Factor: 5:1
Pack Count: 1/carton

PACKAGE CONTENTS:

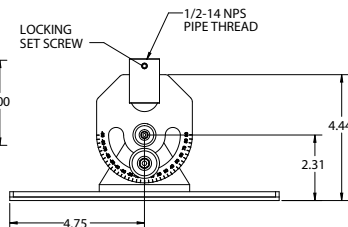
2 pcs L-Bracket
1 pc Hardware Kit

*WLL = Working Load Limit

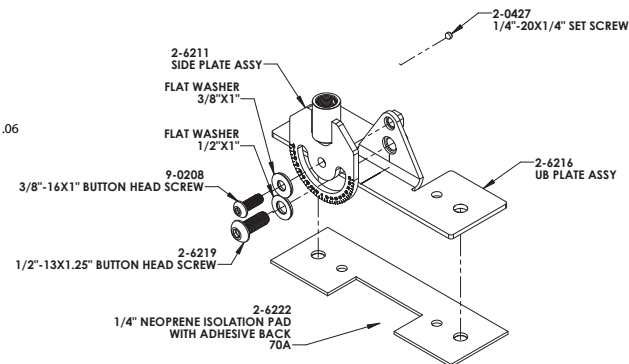
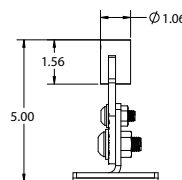
Top View



Front View



Side View



ALWAYS INSTALL SAFETY CABLES

WARNING: Do not assemble Loc-N-Load video walls without first adding counterbalancing ballast. Weights and or straps must be applied to the Loc-N-Load ground support system to secure the video wall. See ballast table in instruction manual or on side of T-Base for safe installation and use.

