

MM-018

(60 lb. WLL)

PAN & TILT CEILING SPEAKER MOUNT

MULTIMOUNT®

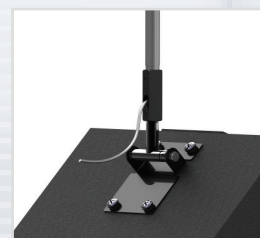


The MM-018 is a pan and tilt speaker mount that supports and aims cinema surround speakers that offer the standard four-point mounting pattern of 2-3/4" X 5".

This mount aims and anchors surround speakers from overhead ceiling grids by way of a variety of tube extensions and adapters. Ceiling surrounds achieve up to 360 degrees of horizontal pan angle adjustments and up to 180 degrees of tilt angle adjustment.

Tilt adjustments are made at the side of the speaker adapter plate. Panning adjustments are made at the intersection of the tube extension coupler and the speaker mount.

The MM-018's tube coupler provides a pathway for signal wire and a safety ca-ble to pass up through the tube extension, making for a cosmetically pleasing, safe and predictable method for installing ceiling speakers.



STANDARD FEATURES:

- ▶ Independent pan and tilt controls
- ▶ Infinite locking adjustments
- ▶ No memory drift
- ▶ Single man speaker installations
- ▶ Safety cables included with extension tubes

OPTIONAL ACCESSORIES:

- ▶ Ceiling Mounts
- ▶ Tube Extensions
- ▶ Refer to page 3 for more details

SPECIFICATIONS:

Material: Structural Steel Alloy

Finish: Powder Coat

Tilt Rotation: 180 degrees

Pan Angle: 360 degrees

Color: Black

Design Factor: 7:1 ratio

WLL: 60 lbs. (27.2 Kg) max.

Net WGT: 4 lbs. (1.8 Kg.) each

Shipping WGT: 5 lbs. (2.3 Kg.) each

Pack Count: 1 units/carton

PACKAGE CONTENTS:

- 1 pc** Speaker Adpater Assy
- 1 pc** Coupler Adapter, 3/4-10 Thread and 1/2NPT
- 2 pcs** Set Screw, 1/4-20
- 1 pc** Hex Bolt, 3/8-16 X 3/4" Long
- 1 pc** Hex Bolt, left hand thread 3/8-16 X 3/4" Long
- 1 pc** Star Washer, 3/8



Rated for indoor use.

ALWAYS INSTALL SAFETY CABLES

WARNING: Mounting and/or suspension of audio and video equipment requires experienced professionals. Improperly installed loudspeakers can result in property damage, personal injury and/or liability to the installing contractor.

MM-018

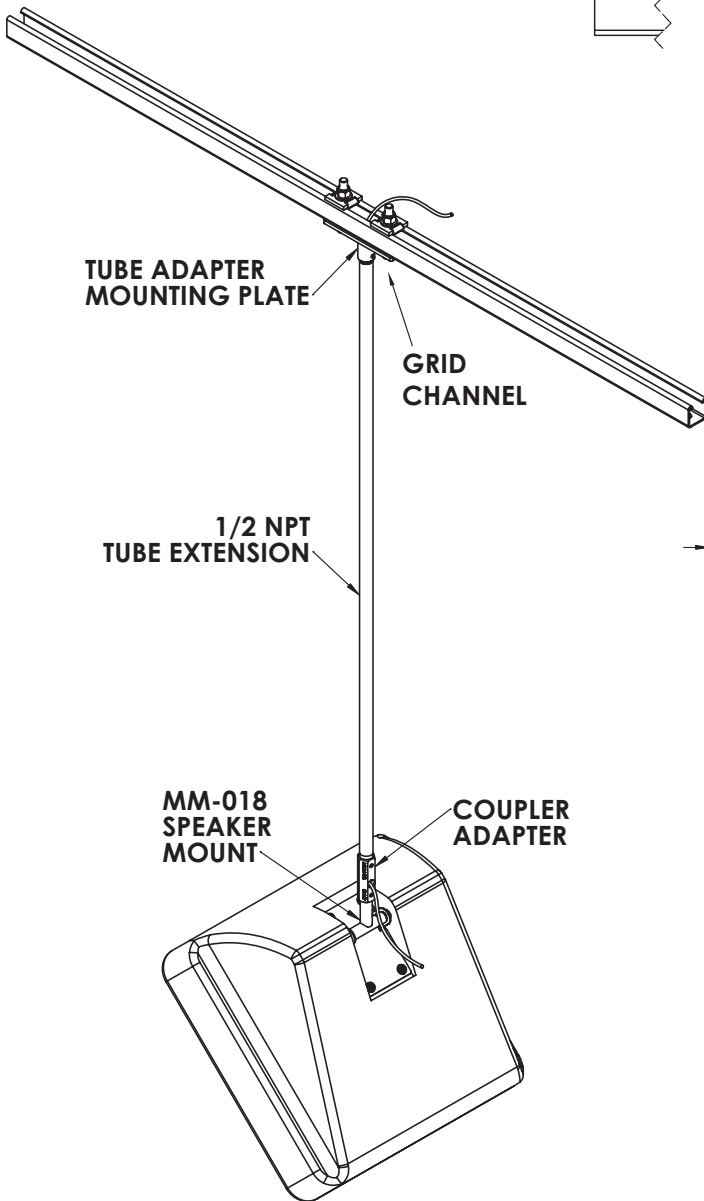
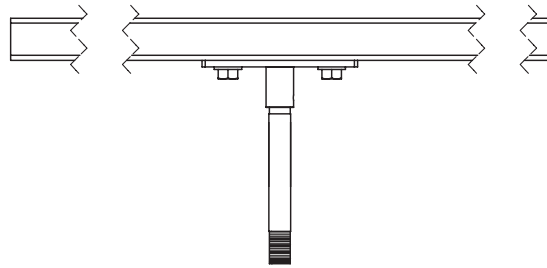
(60 lb. WLL)

PAN & TILT CEILING SPEAKER MOUNT

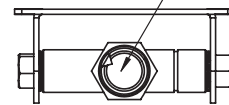
MULTIMOUNT®

DIMENSIONS:

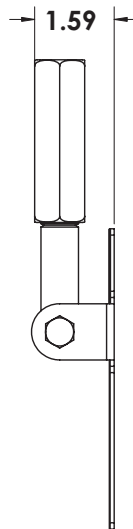
TE-500NPT Tube Extension



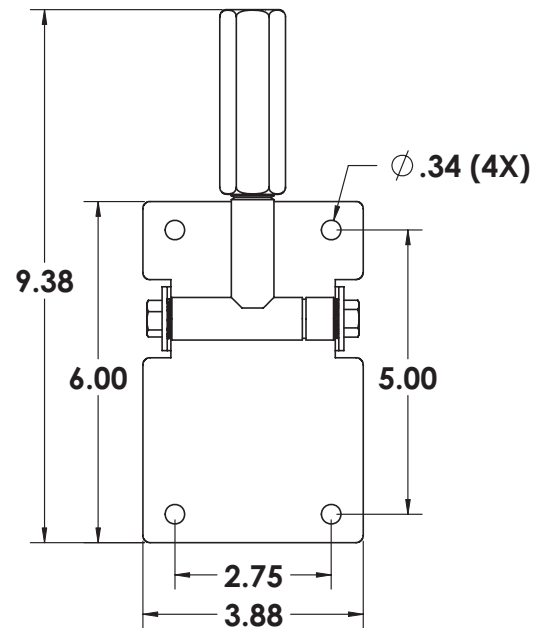
INSERT
TE-500NPT-XX



Top View



Side View



Front View



Rated for indoor use.

ALWAYS INSTALL SAFETY CABLES

WARNING: Mounting and/or suspension of audio and video equipment requires experienced professionals. Improperly installed loudspeakers can result in property damage, personal injury and/or liability to the installing contractor.

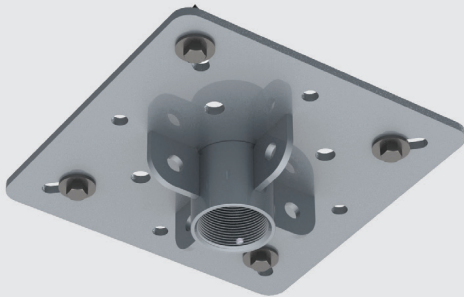
MM-018

(60 lb. WLL)

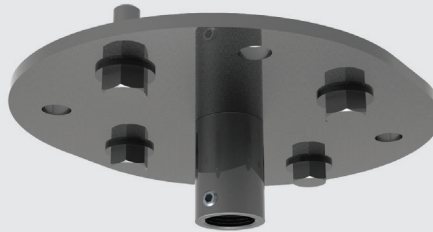
PAN & TILT CEILING SPEAKER MOUNT

MULTIMOUNT®

OPTIONAL ACCESSORIES:



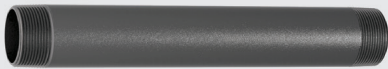
CEILING MOUNT
MP-150-115-CM



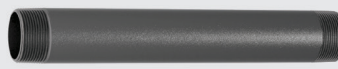
CEILING MOUNT
MP-500NPT-CP



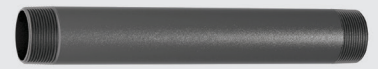
CEILING MOUNT
MP-500NPT-TA



TUBE EXTENSION



TUBE EXTENSION



TUBE EXTENSION

PIPE-1.5NPT-06	6" Tube Extension
PIPE-1.5NPT-12	12" Tube Extension
PIPE-1.5NPT-18	18" Tube Extension
PIPE-1.5NPT-24	24" Tube Extension
PIPE-1.5NPT-30	30" Tube Extension
PIPE-1.5NPT-36	36" Tube Extension
PIPE-1.5NPT-48	48" Tube Extension
PIPE-1.5NPT-48	60" Tube Extension
PIPE-1.5NPT-48	72" Tube Extension

PIPE-500NPT-03	3" Tube Extension
PIPE-500NPT-06	6" Tube Extension
PIPE-500NPT-09	9" Tube Extension
PIPE-500NPT-12	12" Tube Extension
PIPE-500NPT-18	18" Tube Extension
PIPE-500NPT-24	24" Tube Extension
PIPE-500NPT-30	30" Tube Extension
PIPE-500NPT-36	36" Tube Extension
PIPE-500NPT-48	48" Tube Extension

PIPE-500NPT-03	3" Tube Extension
PIPE-500NPT-06	6" Tube Extension
PIPE-500NPT-09	9" Tube Extension
PIPE-500NPT-12	12" Tube Extension
PIPE-500NPT-18	18" Tube Extension
PIPE-500NPT-24	24" Tube Extension
PIPE-500NPT-30	30" Tube Extension
PIPE-500NPT-36	36" Tube Extension
PIPE-500NPT-48	48" Tube Extension



Rated for indoor use.

ALWAYS INSTALL SAFETY CABLES

WARNING: Mounting and/or suspension of audio and video equipment requires experienced professionals. Improperly installed loudspeakers can result in property damage, personal injury and/or liability to the installing contractor.