

# UB-3RDX-60

(100 lb. WLL)

3RD AXIS ADJUSTMENT FOR U-BRACKETS

UB-SERIES



When suspending from overhead, U-Brackets offer 2 axes of rotation and provide a pan and tilt adjustment for loudspeakers. In some cases such as for immersive sound, speakers must be rotated in a third axis to avoid sending sound needlessly across floors and walls. In these cases the UB -3RDX-60 provides that 3rd axis by attaching to the base of the U-Bracket and adjusting up to 90 degrees of rotation, either direction for the horizontal position. In instances, such as attaching to angled ceilings, this mount can be used on both ends of the pipe for a gimballed affect.



## STANDARD FEATURES:

- ▶ Adjusts up to 90 degrees off center
- ▶ Angle Indicator speeds installations
- ▶ Adapts to standard U-Brackets
- ▶ Adapts to standard schd. 40-1/2" pipe

## OPTIONAL ACCESSORIES:

- ▶ U-Brackets - (see data sheet)
- ▶ Safety Cable Kits (see data sheet)
- ▶ Ceiling Attachments (see data sheet)
- ▶ Strut Attachments (see data sheet)
- ▶ Threaded Pipe (see data sheet)

## SPECIFICATIONS:

**Materials:** Structural Steel Alloy

**Tilt:** 180 degrees

**Finish:** Powder Coat

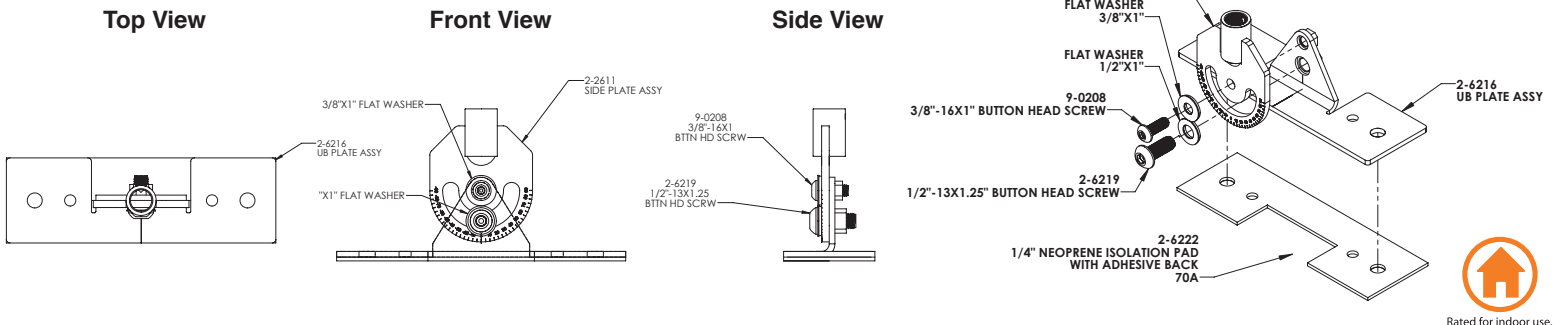
**Color:** Black

**WLL:** 100 lb. / 27 Kg.

**Design Factor:** 5:1 ratio

**Pack Count:** 1/carton

*\*WLL = Working Load Limit*



### ALWAYS INSTALL SAFETY CABLES

**WARNING:** Mounting and/or suspension of audio and video equipment requires experienced professionals. Improperly installed loudspeakers can result in property damage, personal injury and/or liability to the installing contractor.



Rated for indoor use.