

Technical Manual

JBL 5749

SPECIFICATIONS



ACOUSTIC & ELECTRICAL SPECIFICATIONS:

- Nominal Impedance: 2 x 8 Ohms
- Input Power Rating: 1600W (AES), 2000W to 4000W recommended amplifier
- Frequency Response: 30 Hz to 220 Hz (± 3 dB)
- Frequency Range: 25 Hz - 220 Hz (-10 dB)
- Sensitivity: 104 dB SPL; 2.83V @ 1 meter (3.3 ft)
- Crossover Frequencies: 220 Hz

SYSTEM COMPONENTS:

- Cabinet: Enclosure (Not for Sale)
- Low Frequency Transducer: (2) 2242HPL, 460 mm (18 in) dia. Super Vented Gap Cooled™ (SVG), 100 mm (4 in) dia. edgewood ribbon voice coils
- DC Resistance: 4.7 ohm

SYSTEMS COMPONENTS (CONT'D):

- Terminal / Wire Assembly: 444748-001 (2)

AURAL SWEEP TEST SPECIFICATIONS:

- A. System Aural Sweep Test: 7.0V Input, 20 Hz to 3000 Hz
- B. L.F. Aural Sweep Test: 7.0V Input, 20 Hz to 1000 Hz

PHYSICAL SPECIFICATIONS:

- Enclosure Dimensions: 1219mm x 762mm x 610mm D (48.0 x 30.0 x 24.0 in. D)
- Shipping Weight: 234 lb (106.3 kg.)

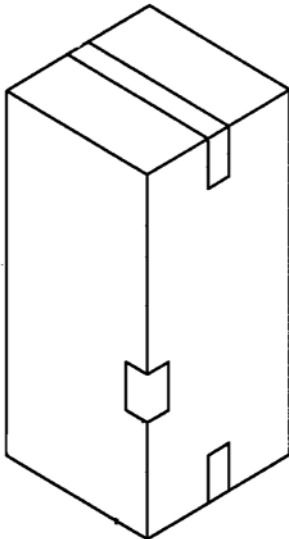
WARRANTY INFORMATION:

- Refer to Warranty Statement packed with each product.

PACKAGE

Warranty 59660

Spec Sheet
444513-001



Carton
990-00205-00

Filler (2)
991-00206-00
Top & Bottom

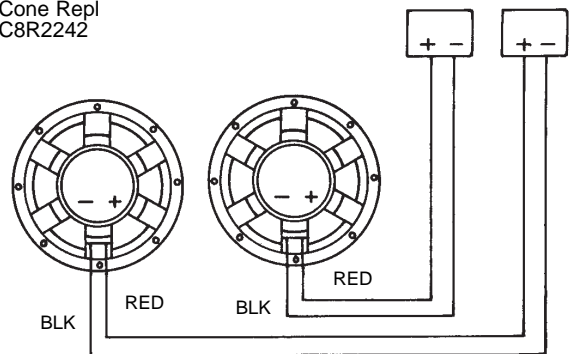
Filler (4)
991-00169-00
Top & Bottom

PKG, Microfoam (8)
49790P
20" x 18" Sheets

WIRING DIAGRAM

Driver, Low Freq
2242HPL (2)
(75812-03)
Cone Repl
C8R2242

Terminal / Wire Assembly (2)
444748-001



JBL 5749

COMPONENT EXPLODED VIEW

(Below are the part numbers for the hardware used for mounting to the 5742M-/HF)

Nut (5)
835-44000-00
5/16-18
Insert Nut Type 1 ZN

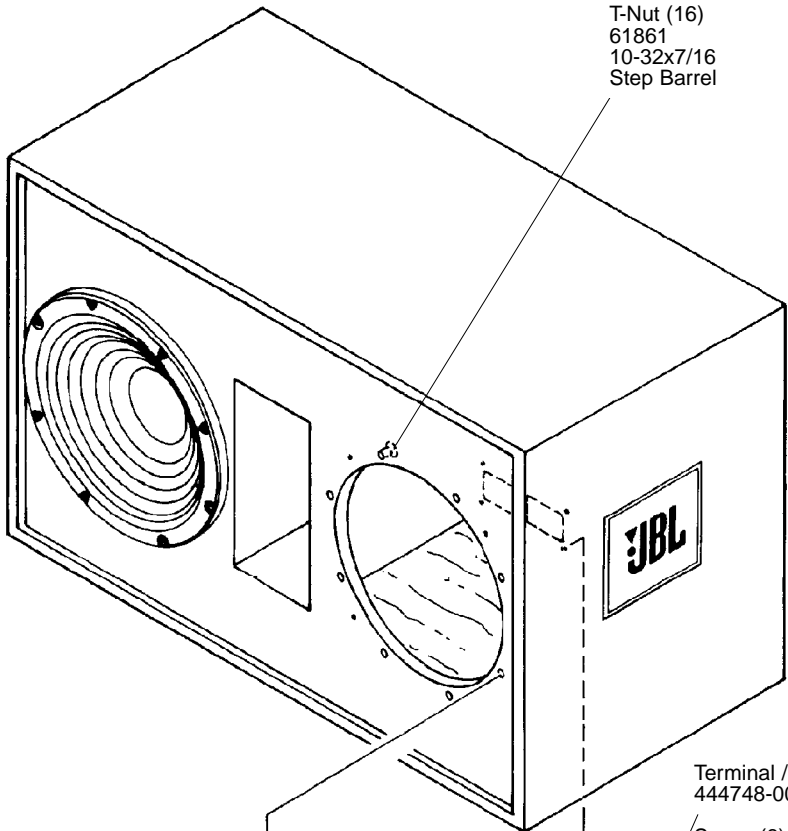
Screw (5)
807-31010-12
5/16-18 x 3/4
TRS,PH,UNC,BLK
ZINC,LCS

Washer (5)
845-00110-08
5/16 x .08
FLT, PLREGBLK,
ZINC, CS

Washer (5)
845-03110-08
5/16 x .08
SLTHEL,REG,BLK
ZINC,CS

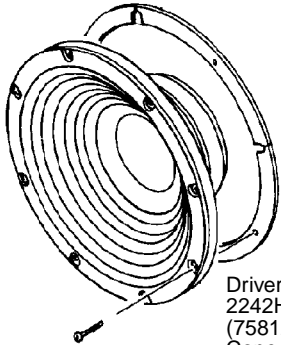
Enclosure Assembly for 5742-LF
(Not Available for Sale)

T-Nut (16)
61861
10-32x7/16
Step Barrel



Terminal / Wire Assembly
444748-001

Screw (8)
882-51110-12
6 x 3/4
OV,PH,PTCL,BLK
ZINC,LCS



Driver, Low Freq. (2)
2242HPL
(75812-03)
Cone Repl
C8R2242

Terminal, Dual (2)
362-10007-01

Dome (2)
71133-03
W/lead relief

Screw (16)
804-01110-20
10-32 x 1 1/4
FIL,PH,BLK ZINC,LCS

Gasket (8)
60578
Rear, 18" Cork
Adh/Back