

Cabi 2.0 Pedestal

Universal Pedestal for Cinema projectors



Universal Pedestal for cinema designed to place cinema projectors and other complements such as power supply, servers, UPS and accessories.

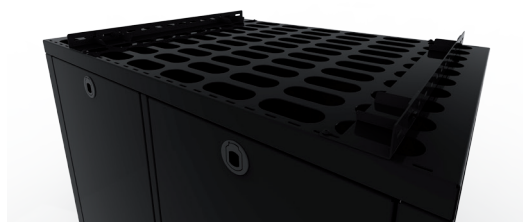
- Attractive and adapted design in matte finish black.
- No tools needed to open doors.
- Can be shipped flat-packed, saving shipping costs.
- Allows going through very narrow doors where other pedestals would not fit.
- Telescopic legs and feet allow raise up 30 cm the pedestal and the possibility to tilt range up to 14°.
- Upgradeable and flexible, includes several optional kits to meet every user individual needs.
- 2 Years Warranty.
- Accessories included:
 - Din rail with the rail width.
 - Power distributor with 8 sockets.
 - Blank panels: 1x3u + 1x2u + 2x1u.
 - Screws, washers and caged nuts.



Featuring six 19" rack devices 2 each side, rear and front to place useful components and accessories (78 rack units available for server, 3D controller, automation, scaler, etc ...).



The top of the pedestal has been designed to fit any projector. Allowing the fixation of the projector legs through sliding rails.



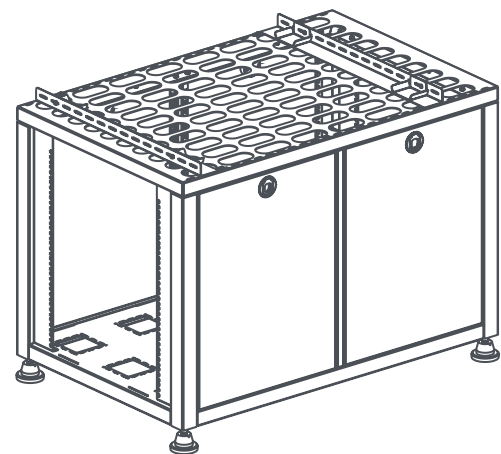
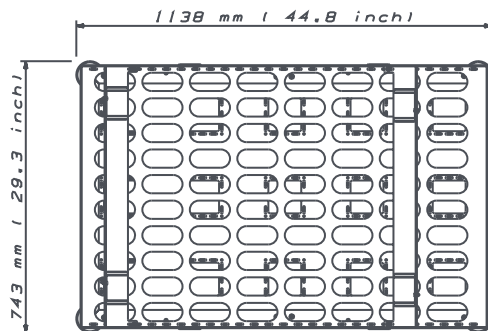
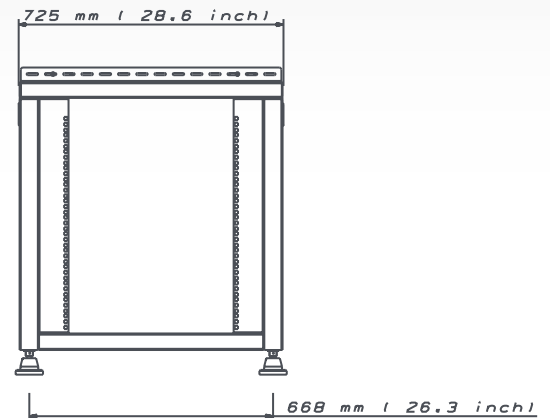
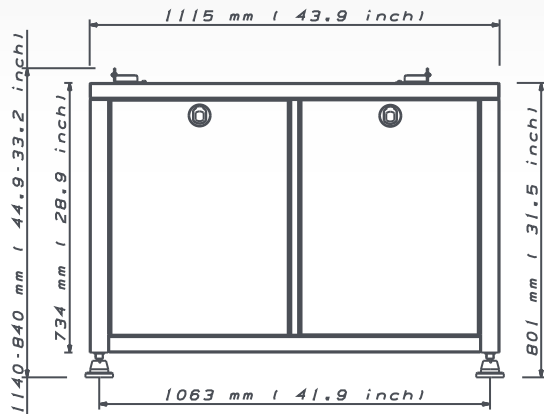
Designed to store all digital projectors available on the market.



Cabi 2.0 Pedestal

Universal Pedestal for Cinema

GENERAL MEASURES



TECHNICAL CHARACTERISTICS

	ASSEMBLED	FLAT-PACKED
PACKED		
<i>Dimensions</i>	800 x 1200 x 750 mm 31.50" x 47.24" x 29.52"	800 x 1200 x 450 mm. 31.50" x 47.24" x 17.72"
<i>Gross Weight</i>	85Kg	83 Kg.
MOUNTED		
<i>Dimensions</i>	743 x 1138 x 725 mm. 29.25" x 44.80" x 28.54"	-
<i>Net Weight</i>	60Kg	60Kg

OPTIONS



ELECTRIFICATION KIT



MONITOR ARM- KEYBOARD DRAWERS



EXHAUST FAN



19" RACK SHELVES